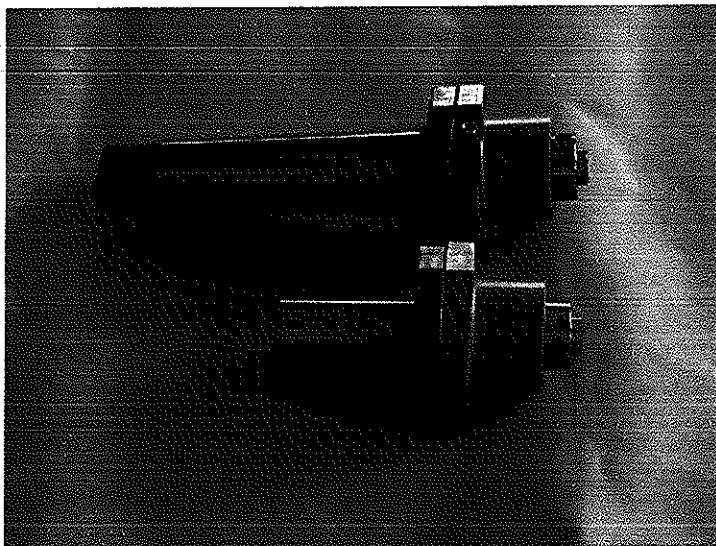
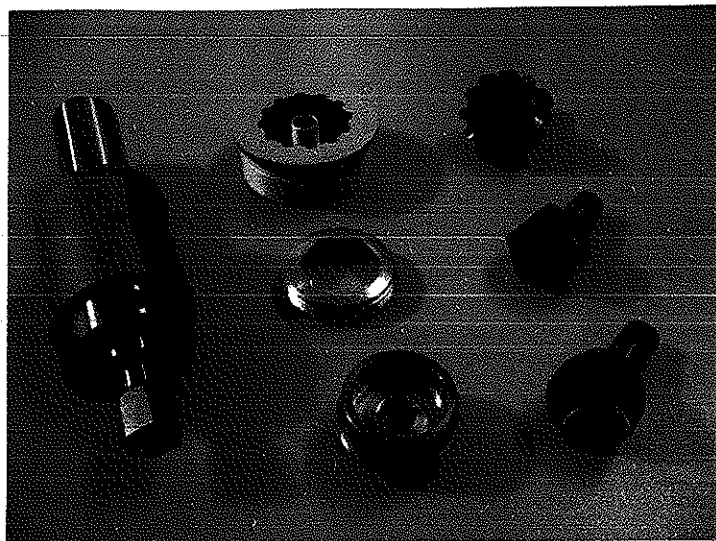


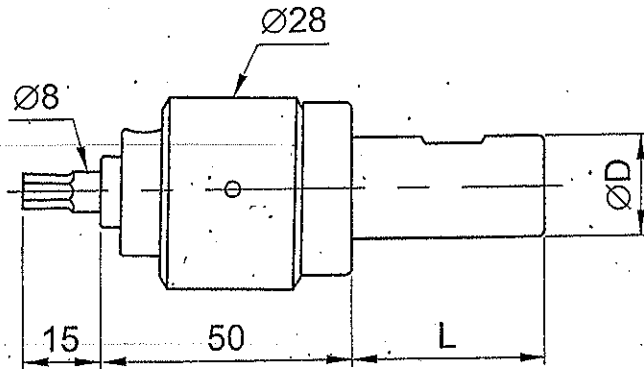
## 迴轉式沖刀座、標準沖刀 目錄



迴轉式沖刀座適用於 CNC 車床銑床、複合機台、傳統車床銑床等，可在機台上完成六角孔、四角孔、Torx 孔、多角孔、星形孔、異形孔等多樣化加工範圍，可提高加工效率、工件同心度、及特殊形狀內孔、降低成本、操作簡易。

業界加工數據：工件材質 7075 鋁合金、刀柄 JHC021<1 支>、刀具 JHC025-06(對邊 6mm)<1 支>，刀具壽命為加工六角孔數量超過 300,000 只。

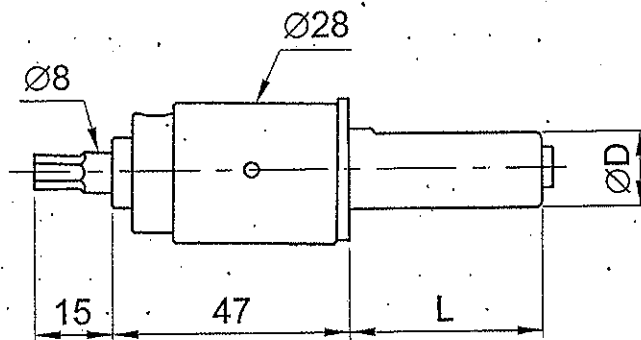
# JHC020



- 最大推力 400 daN
- 夾持刀具柄徑Ø8mm

| JHC No.   | ØD  | L  |
|-----------|-----|----|
| JHC020-20 | Ø20 | 38 |

# JHC021



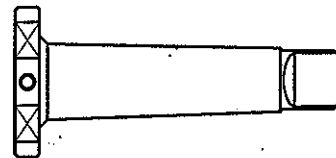
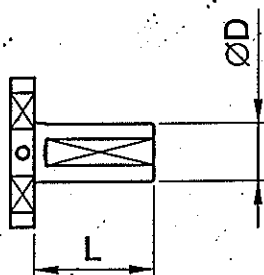
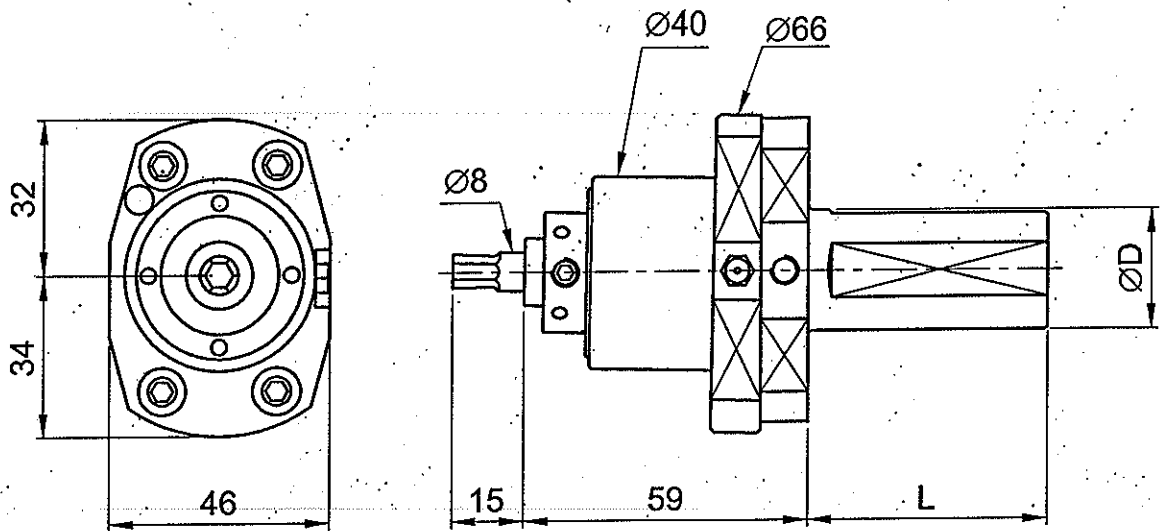
- 最大推力 1,000 daN
- 夾持刀具柄徑Ø8mm

| JHC No.      | ØD  | L  |
|--------------|-----|----|
| JHC021-16    | Ø16 | 38 |
| JHC021-20    | Ø20 | 38 |
| JHC021-22-60 | Ø22 | 60 |
| JHC021-25-60 | Ø25 | 60 |



# JHC023

- 最大推力 1,200 daN
- 夾持刀具柄徑  $\varnothing 8\text{mm}$



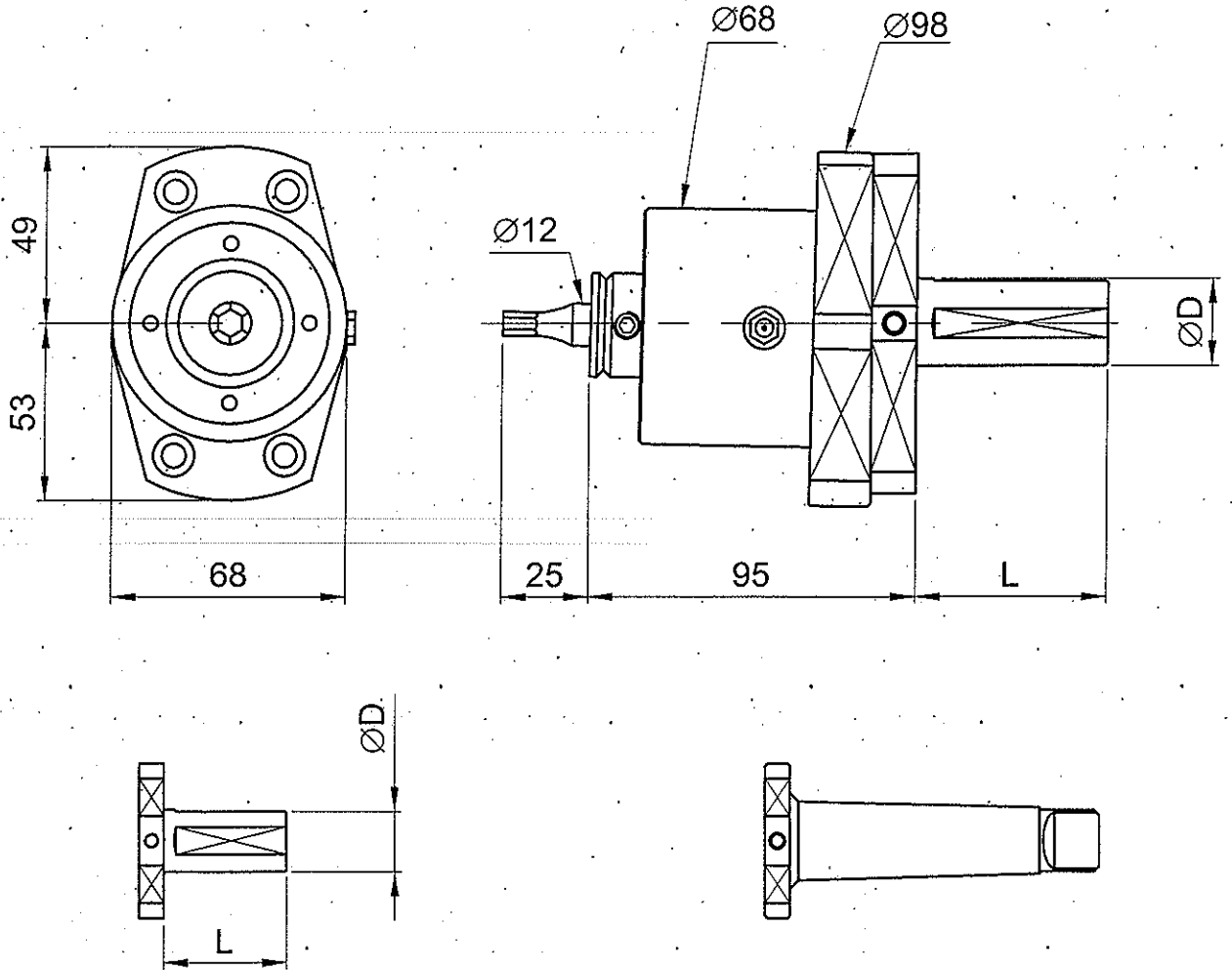
| JHC No.   | $\varnothing D$  | L  |
|-----------|------------------|----|
| JHC023-16 | $\varnothing 16$ | 50 |
| JHC023-20 | $\varnothing 20$ | 50 |
| JHC023-25 | $\varnothing 25$ | 50 |
| JHC023-30 | $\varnothing 30$ | 50 |
| JHC023-32 | $\varnothing 32$ | 50 |

| JHC No.    | 莫氏錐度 |
|------------|------|
| JHC023-TM4 | 莫氏4號 |



# JHC024

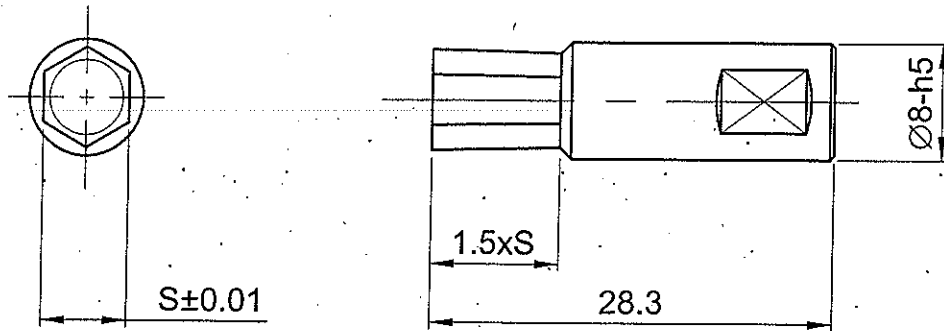
- 最大推力 4,000 daN
- 夾持刀具柄徑  $\varnothing 12\text{mm}$



| JHC No.   | $\varnothing D$  | L  |
|-----------|------------------|----|
| JHC024-25 | $\varnothing 25$ | 55 |
| JHC024-30 | $\varnothing 30$ | 55 |

| JHC No.    | 莫氏錐度 |
|------------|------|
| JHC024-TM4 | 莫氏4號 |

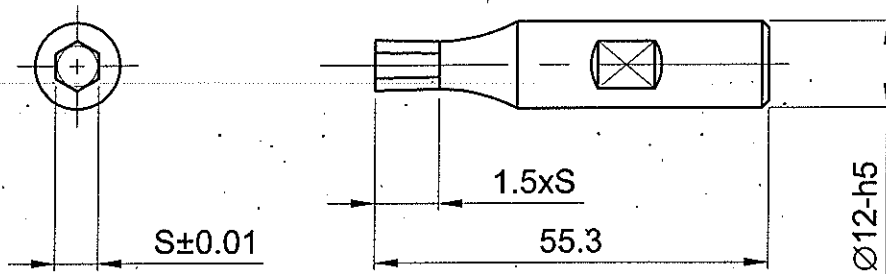
# JHC025



| JHC No.    | 六角S mm | 數量 |
|------------|--------|----|
| JHC025-015 | 1.5    |    |
| JHC025-02  | 2      |    |
| JHC025-025 | 2.5    |    |
| JHC025-03  | 3      |    |
| JHC025-04  | 4      |    |
| JHC025-05  | 5      |    |
| JHC025-06  | 6      |    |
| JHC025-07  | 7      |    |
| JHC025-08  | 8      |    |
| JHC025-09  | 9      |    |
| JHC025-10  | 10     |    |
| JHC025-11  | 11     |    |
| JHC025-12  | 12     |    |
| JHC025-13  | 13     |    |
| JHC025-14  | 14     |    |

| JHC No.      | 六角S mm | 數量 |
|--------------|--------|----|
| JHC025-1/16" | 1/16"  |    |
| JHC025-5/64" | 5/64"  |    |
| JHC025-3/32" | 3/32"  |    |
| JHC025-7/64" | 7/64"  |    |
| JHC025-1/8"  | 1/8"   |    |
| JHC025-5/32" | 5/32"  |    |
| JHC025-3/16" | 3/16"  |    |
| JHC025-7/32" | 7/32"  |    |
| JHC025-1/4"  | 1/4"   |    |
| JHC025-5/16" | 5/16"  |    |
| JHC025-3/8"  | 3/8"   |    |

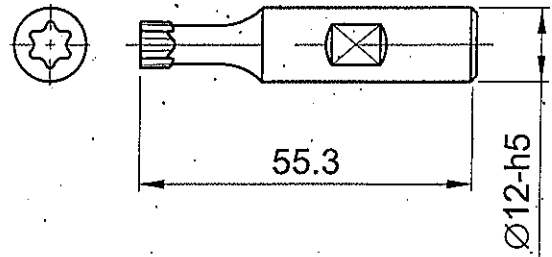
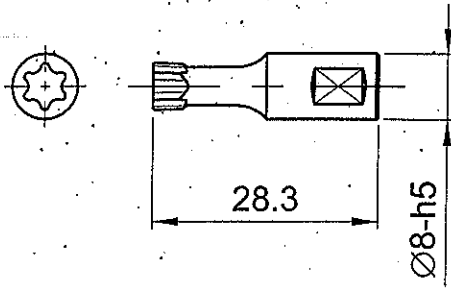
# JHC026



| JHC No.   | 六角S mm | 數量 |
|-----------|--------|----|
| JHC026-03 | 3      |    |
| JHC026-04 | 4      |    |
| JHC026-05 | 5      |    |
| JHC026-06 | 6      |    |
| JHC026-07 | 7      |    |
| JHC026-08 | 8      |    |
| JHC026-09 | 9      |    |
| JHC026-10 | 10     |    |
| JHC026-11 | 11     |    |
| JHC026-12 | 12     |    |
| JHC026-13 | 13     |    |
| JHC026-14 | 14     |    |
| JHC026-15 | 15     |    |
| JHC026-16 | 16     |    |
| JHC026-17 | 17     |    |
| JHC026-18 | 18     |    |

| JHC No.      | 六角S mm | 數量 |
|--------------|--------|----|
| JHC025-1/16" | 1/16"  |    |
| JHC025-5/64" | 5/64"  |    |
| JHC025-3/32" | 3/32"  |    |
| JHC025-7/64" | 7/64"  |    |
| JHC025-1/8"  | 1/8"   |    |
| JHC025-5/32" | 5/32"  |    |
| JHC025-3/16" | 3/16"  |    |
| JHC025-7/32" | 7/32"  |    |
| JHC025-1/4"  | 1/4"   |    |
| JHC025-5/16" | 5/16"  |    |
| JHC025-3/8"  | 3/8"   |    |
| JHC025-1/2"  | 1/2"   |    |
| JHC025-9/16" | 9/16"  |    |
| JHC025-5/8"  | 5/8"   |    |

# JHC027/JHC028



| JHC No.    | ISO 10664<br>(TORX) | 數量 |
|------------|---------------------|----|
| JHC027-T6  | 6                   |    |
| JHC027-T8  | 8                   |    |
| JHC027-T10 | 10                  |    |
| JHC027-T15 | 15                  |    |
| JHC027-T20 | 20                  |    |
| JHC027-T25 | 25                  |    |
| JHC027-T30 | 30                  |    |
| JHC027-T40 | 40                  |    |
| JHC027-T45 | 45                  |    |
| JHC027-T50 | 50                  |    |
| JHC027-T55 | 55                  |    |

| JHC No.    | ISO 10664<br>(TORX) | 數量 |
|------------|---------------------|----|
| JHC028-T20 | 20                  |    |
| JHC028-T25 | 25                  |    |
| JHC028-T30 | 30                  |    |
| JHC028-T40 | 40                  |    |
| JHC028-T45 | 45                  |    |
| JHC028-T50 | 50                  |    |
| JHC028-T55 | 55                  |    |